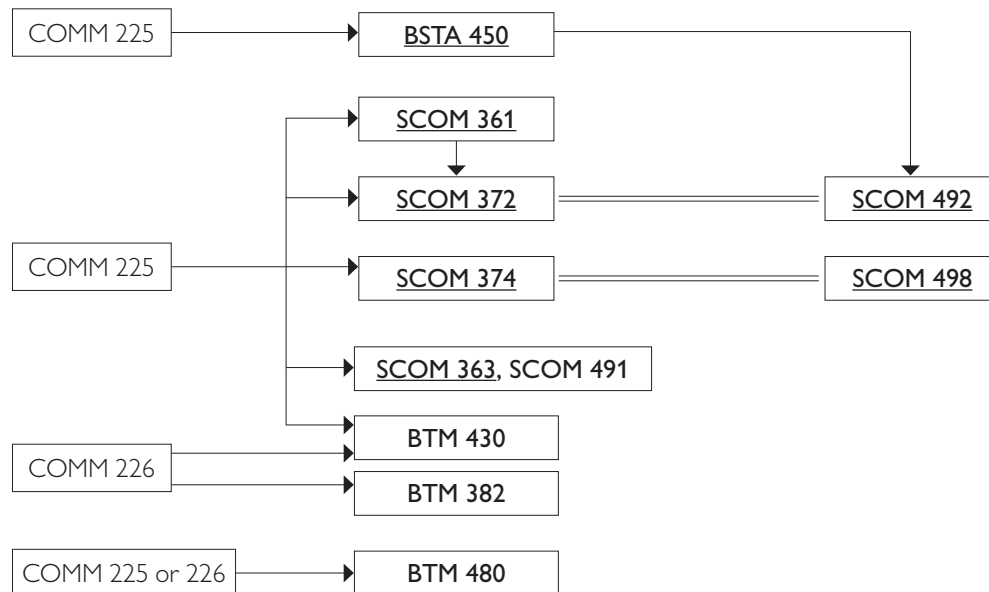


Structure of the Major in Supply Chain Operations Management

The major in Supply Chain Operations Management requires the completion of 24 credits (8 courses). These include seven courses (21 credits) and three additional credits offered by the Department.



Notes:

1. A prerequisite (—>) refers to a course that should be completed before the course that appears at the tip of the arrow. For example, COMM 225 or 226 must be completed before BTM 480.
2. A prerequisite or co-requisite refers to a course that can be completed in the same term as the course linked by the double line (==). For example, SCOM 372 and SCOM 492 can be completed in the same term.
3. Supply chain operation management courses appear **bolded**. The seven required courses appear **bolded and underlined**.
4. COMM prerequisites to SCOM courses are shown next to the SCOM courses.
5. Either SCOM 372 or 374 can be completed after completing SCOM 492 or 498.
6. To review the course requirements for your year of entry in the program please refer to the [undergraduate calendar](#) or [degree worksheet](#) for that year.
7. **Students are responsible for following the correct sequence of courses required for the completion of a particular major. Students who fail a course must repeat it before taking the next course.**
8. The Minor in Supply Chain Operations Management consists of SCOM 361, 363, 372, 374.

Last update: March 2018