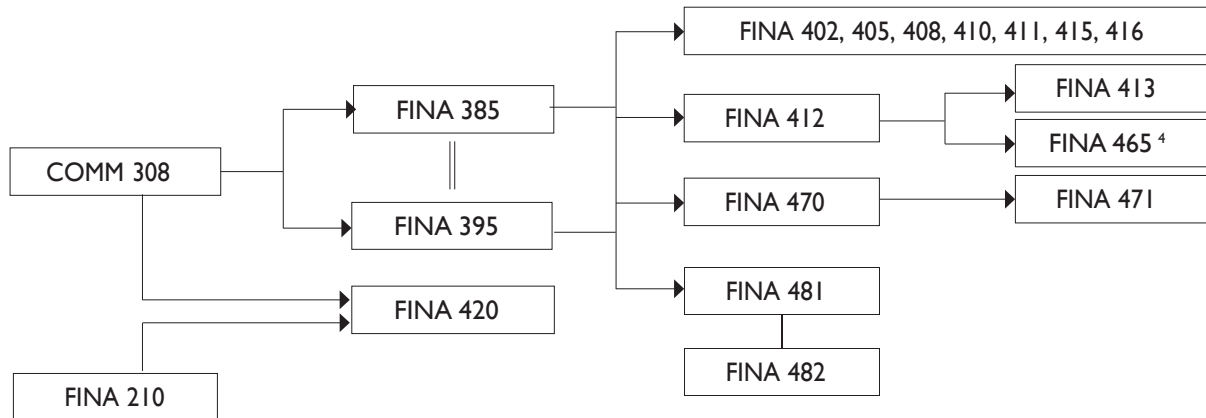


Structure of the Major in Finance

The major in Finance requires the completion of 24 credits (8 courses). These include two required courses (6 credits) and 18 additional 400-level elective credits offered by the Department.



Notes:

1. A *prerequisite* refers to a course that should be completed before the course that appears at the tip of the arrow (→). For example, COMM 308 must be completed before FINA 385.
2. A *prerequisite* or *co-requisite* refers to a course that can be completed in the same term as the course linked by the double line (===). For example, FINA 385 and FINA 395 can be completed in the same term.
3. The two required courses appear bolded.
4. **FINA 465** Prerequisite: FINA 409 or FINA 410; FINA 412. Students who have received credit for this topic under a FINA 455 number may not take this course for credit.
5. To review the course requirements for your year of entry in the program please refer to the [undergraduate calendar](#) or [degree worksheet](#) for that year.
6. Students are responsible for following the correct sequence of courses required for the completion of a particular major. Students who fail a course must repeat it before taking the next course.
7. Two courses are not shown in the flowchart above: FINA 409 which requires permission from the Department, and FINA 495 which is only available to students in the Honours in Finance program.
8. The Major in Finance consists of FINA 385, 395 and six additional Finance credits at the 400 level.

Possible Finance streams include:

Corporate Finance: FINA 402, 405, 415
 Financial Institutions: FINA 471, 481, 482
 International Finance: FINA 470, 471, 482
 Derivatives: FINA 412, 413, 465
 Investments: FINA 408, 409, 410, 411, 416, 420, 455