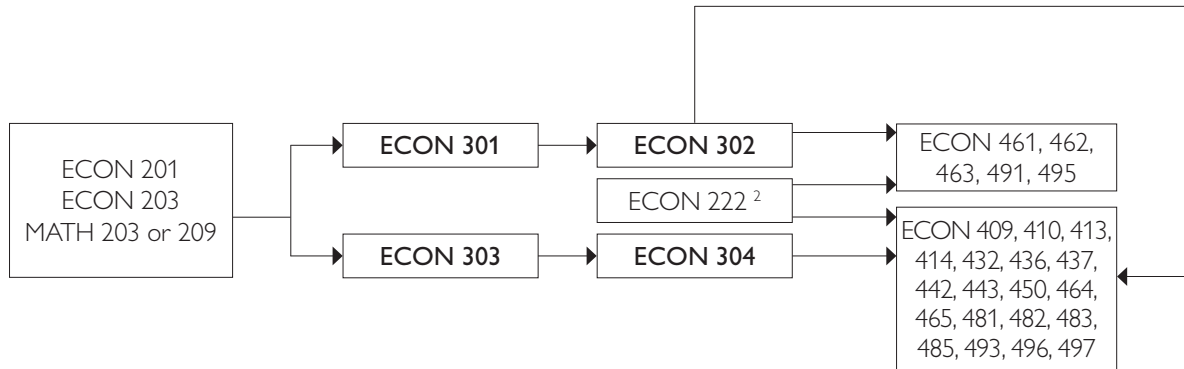


Structure of the Major in Economics

The major in Economics requires the completion of 24 credits (8 courses). These include four required courses (12 credits) and 12 additional 400-level elective credits offered by the Department.



Notes:

1. A prerequisite (→) refers to a course that should be completed before the course that appears at the tip of the arrow. For example, ECON 301 must be completed before ECON 302.
2. The four required courses appear **bolded**.
3. The 400-level ECON courses also require completion of ECON 222. JMSB students who have completed COMM 215 do not need to complete ECON 222.
4. Other 400-level Economics courses are available, but they require additional prerequisites, mainly ECON 325 and 326. The complete list is available in the [undergraduate calendar](#)
5. **Students are responsible for following the correct sequence of courses required for the completion of a particular major. Students who fail a course must repeat it before taking the next course.**
6. The Minor in Economics consists of ECON 318, 319, and six additional 300-level Economics credits.